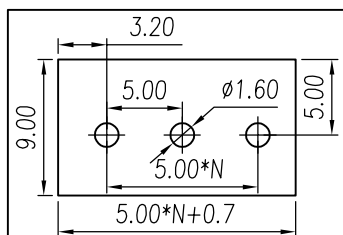
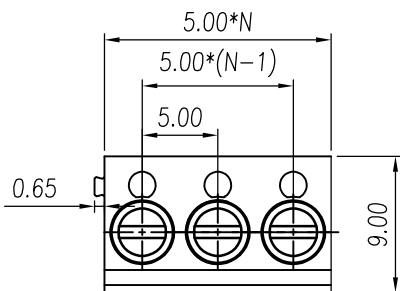
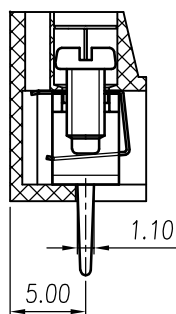
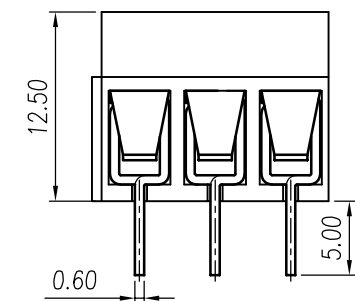




# 宁波新三和连接电气有限公司

## NINGBO NEW SANHE ELECTRIC CONTACT CO., LTD.

产品规格书  
THE SPEC SHEET



P.C.B 开孔图

|          |                       |                    |
|----------|-----------------------|--------------------|
| Standard | UL                    |                    |
|          | Rated voltage         | 300V               |
|          | Rated current         | 10A                |
|          | Contact resistance    | 20mΩ               |
|          | Insulation resistance | 500MΩ/DC500V       |
|          | Wrth standing voltage | AC 2000V/1 Min     |
|          | Wire range            | 22~14AWG           |
| Standard | IEC                   |                    |
|          | Rated voltage         | 400V               |
|          | Rated current         | 24A                |
|          | Wire range            | 2.5mm <sup>2</sup> |
|          | Temp.Range            | -40°C~+105°C       |
|          | MAX Soldering         | +250°C for 5 Sec   |
|          | Torque                | 0.5Nm              |
|          | Steip Length          | 6-7mm              |
|          | Pitch                 | 5.0mm              |
|          | Poles                 | 2p,3p              |

| variable range | linear dimension |               |               |               |                |                 |                 | ≡   | —     | □    | //   | ⊥   |
|----------------|------------------|---------------|---------------|---------------|----------------|-----------------|-----------------|-----|-------|------|------|-----|
|                | to 10            | over 18 to 30 | over 30 to 50 | over 50 to 80 | over 80 to 120 | over 120 to 160 | over 160 to 200 |     |       |      |      |     |
| tolerance      | ±0.15            | ±0.25         | ±0.35         | ±0.45         | ±0.60          | ±0.75           | ±0.90           | 0.5 | 0.025 | 0.06 | 0.12 | 0.4 |

|  |            |  |                    |
|--|------------|--|--------------------|
| 产品名称<br>Product Name   | SH140A-5.0 |  |                    |
| 图纸比例<br>Drawing Scale  | 2:1        | A4   | 视图<br>Project View |
| 宁波新三和连接电气有限公司<br>NINGBO NEW SANHE ELECTRIC CONTACT CO., LTD. |            | 中国宁波慈溪<br>TEL:+86(574)63226910<br>FAX:+86(574)63226900 |                    |