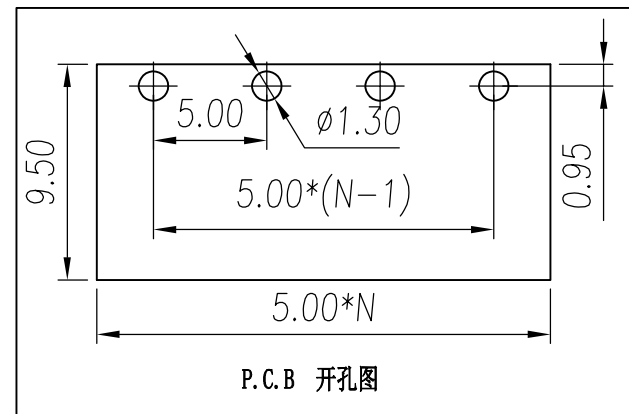
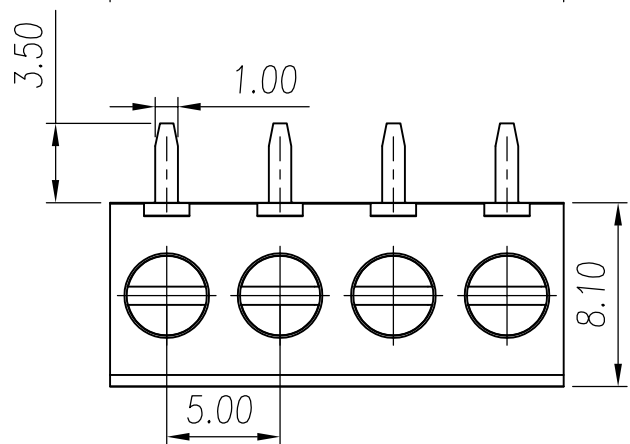
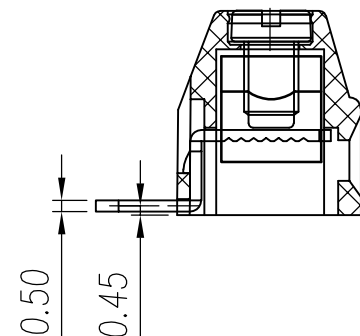
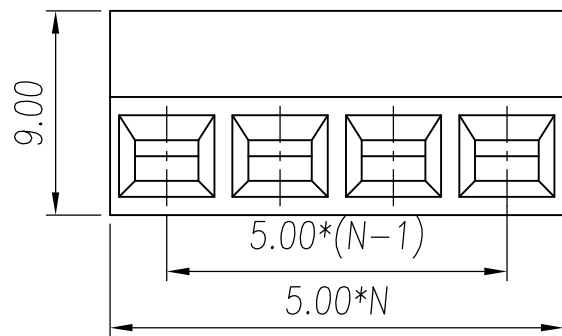




宁波新三和连接电气有限公司

NINGBO NEW SANHE ELECTRIC CONTACT CO., LTD.

产品规格书
THE SPEC SHEET



Standard	UL	Rated voltage	300V
		Rated current	12A
		Contact resistance	20mΩ
		Insulation resistance	500MΩ/DC500V
		Wrth standing voltage	AC 2000V/1 Min
		Wire range	24~16AWG
Standard	IEC	Rated voltage	320V
		Rated current	16A
		Wire range	1.5mm ²
		Temp.Range	-40°C~+105°C
		MAX Soldering	+250°C for 5 Sec
		Torque	0.3Nm
		Steip Length	6-7mm
		Pitch	5.0mm
		Poles	2-12p

variable range	linear dimension						≡	—	□	//	⊥	
	to 10	over 18 to 30	over 30 to 50	over 50 to 80	over 80 to 120	over 120 to 160						over 160 to 200
tolerance	±0.15	±0.25	±0.35	±0.45	±0.60	±0.75	±0.90	0.5	0.025	0.06	0.12	0.4

产品名称 Product Name	SH135R-5.0		
图纸比例 Drawing Scale	3:1	A4	视图 Project View
宁波新三和连接电气有限公司 NINGBO NEW SANHE ELECTRIC CONTACT CO., LTD.		中国宁波慈溪 TEL: +86(574)63226910 FAX: +86(574)63226900	