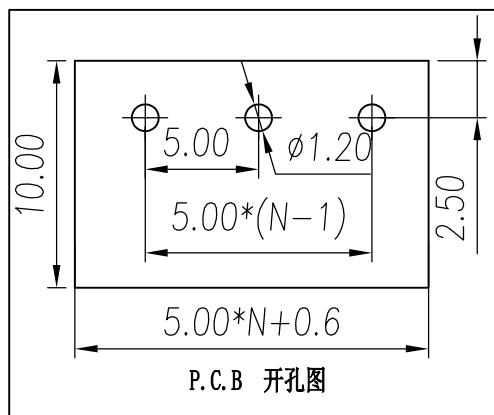
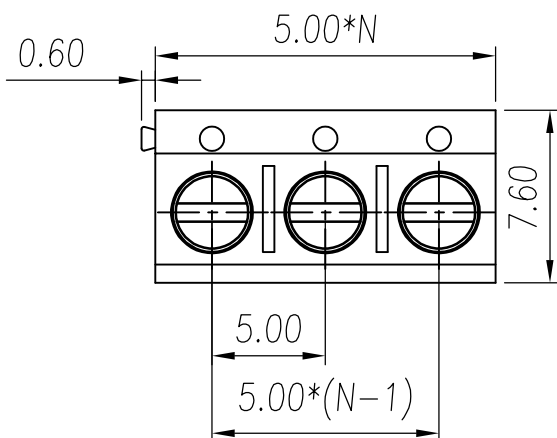
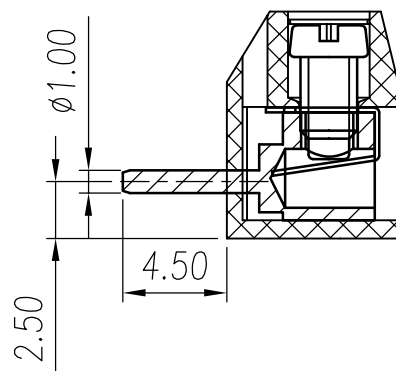
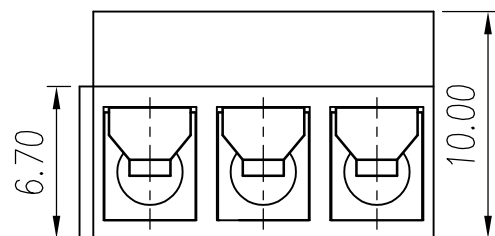




宁波新三和连接电气有限公司

NINGBO NEW SANHE ELECTRIC CONTACT CO., LTD.

产品规格书
THE SPEC SHEET



Standard UL

Rated voltage 300V
 Rated current 10A
 Contact resistance 20mΩ
 Insulation resistance 500MΩ/DC500V
 Wrth standing voltage AC 2000V/1 Min
 Wire range 22~16AWG

Standard IEC

Rated voltage 320V
 Rated current 20A
 Wire range 1.5mm²
 Temp.Range -40°C~+105°C
 MAX Soldering +250°C for 5 Sec

Torque 0.35Nm
 Steip Length 4-5mm
 Pitch 5.0mm
 Poles 2p,3p

variable range	linear dimension						≡	-	□	//	⊥	
	to 10	over 18 to 30	over 30 to 50	over 50 to 80	over 80 to 120	over 120 to 160						over 160 to 200
tolerance	±0.15	±0.25	±0.35	±0.45	±0.60	±0.75	±0.90	0.5	0.025	0.06	0.12	0.4

产品名称 Product Name	SH131R-5.0		
图纸比例 Drawing Scale	3:1	A4	视图 Project View
宁波新三和连接电气有限公司 NINGBO NEW SANHE ELECTRIC CONTACT CO., LTD.		中国宁波慈溪 TEL:+86(574)63226910 FAX:+86(574)63226900	